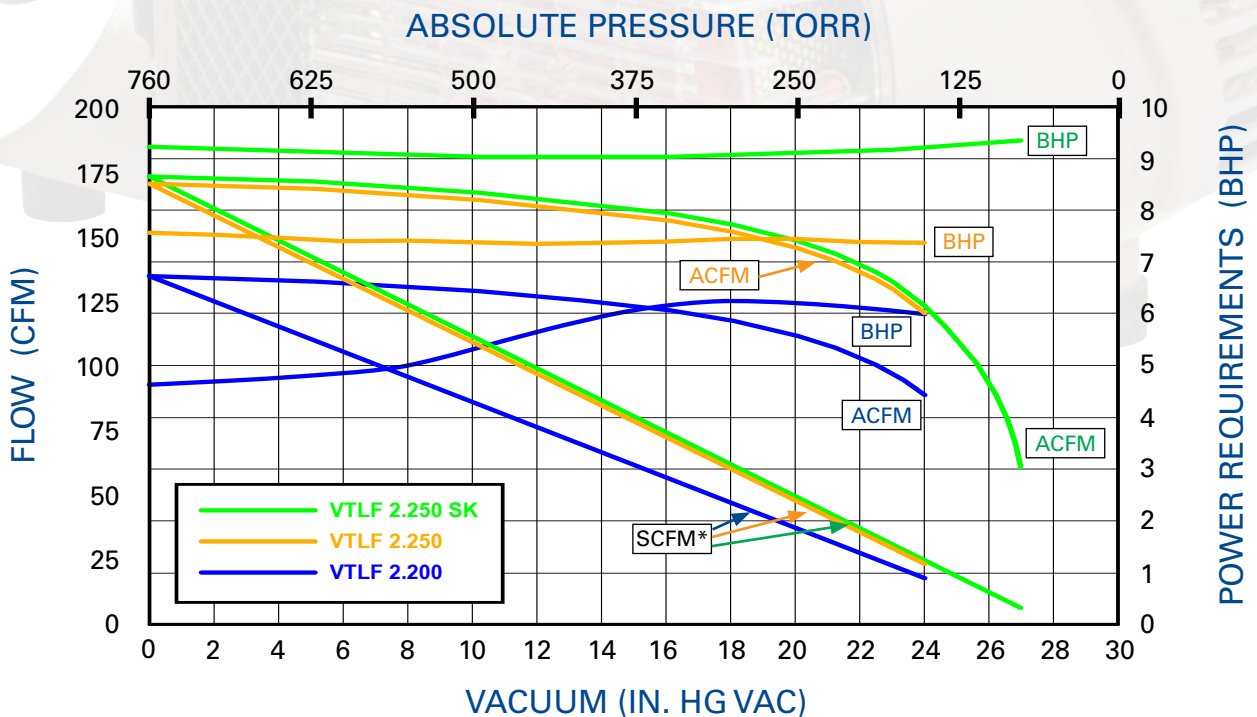


# VTLF 2.2xx Series

## 100% OIL-LESS VACUUM PUMPS



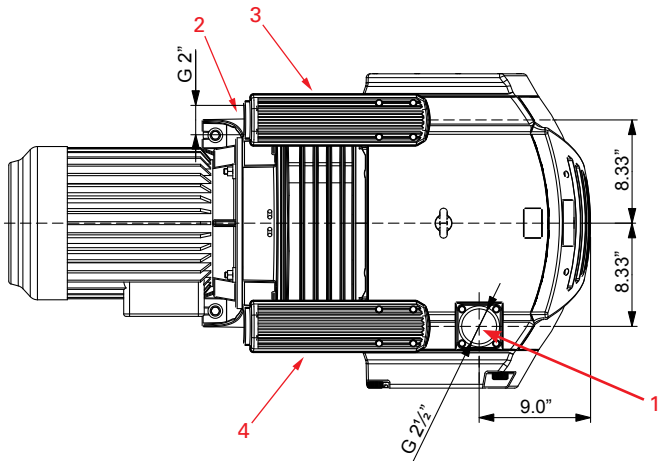
- 100% Oil-less (dry operation)
- Continuous duty rated
- Operation: Atm. to 27 in.HgV
- Direct drive—no belts; no gears
- Low energy consumption
- TEFC motor
- Integral pressure regulating valve
- Integral extra-large 4-micron inlet filter
- Clear filter housing aids inspection
- Vibration isolators
- Quiet operation
- Cool running



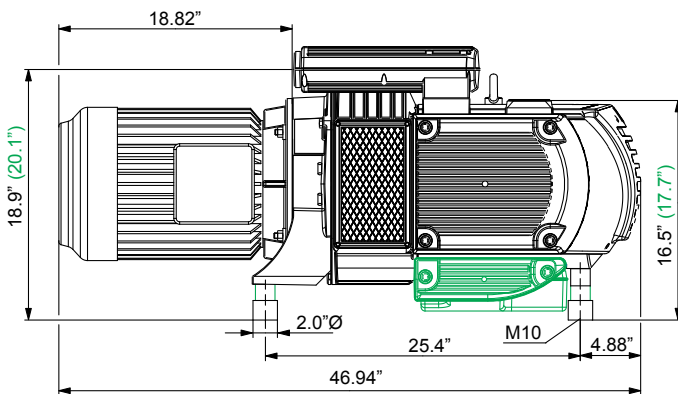
\* @ 29.92" Hg Bar. Pr.; 68°F; 36% R.H.; 0.075#/ft<sup>3</sup>

*Engineering Vacuum and Pressure Solutions that are Like a Breath of Fresh Air*

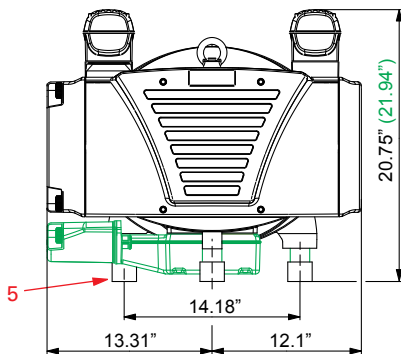
## TECHNICAL DATA



Top View



Side View



End View (Opposite Motor End)

	VTLF 2.200	VTLF 2.250	VTLF 2.250 SK
All data based on 60 Hz operation			
Flow (SCFM @ 0 in. Hg)	129	169	174
Power (kW/HP)	4.8/6.4	6.4/8.5	9.3/12.4
Speed (RPM)	850	1175	1175
Max. Cont. Vacuum (in. HgV)	24	24	27
Weight (lbs.)—w/ motor*	546	550	572
Noise Level (Max. dBA)	78	79	79
Inlet size (BSP, inches):	G-2½"	G-2½"	G-2½"
with NPT adapter:	2"	2"	2"

\* Overall specifications for units may vary due to motor provider. Contact factory for information. Manufacturer reserves right to alter data without notice.

### Available accessories:

External inlet filters; check valves; digital and analog vacuum gauges; motor starters; liquid traps/separators; sound enclosures. Inquire at 888-633-1083

- 1 - Inlet Port
- 2 - Discharge Port
- 3 - Discharge Silencer
- 4 - Vacuum Relief Valve / Silencer
- 5 - Vibration Isolators

Black dimensions pertain to all models