



INSTRUCTION SHEET

Magnetic Starter

- #AMS050323
- #AMS050346
- #AMS750323
- #AMS750346
- #AMS100323
- #AMS100346
- #AMS150323
- #AMS150346
- #AMS200323
- #AMS200346



Installation Instructions

You will need the following:

STARTER	OPTIONAL WALL MOUNTING	
Phillips Head Screwdriver	Pencil / Marker	Wall Mounting Fasteners *
Flathead Screwdriver	Level	Hook and Loop Adhesive
Mallet	Stud Finder	

*You will need to supply your own wall mounting hardware. Use appropriate fasteners for the wall type you are installing your system onto (e.g. lag bolts, drywall anchors, etc.).



YOU MUST HAVE THIS PRODUCT INSTALLED BY A QUALIFIED AND LICENSED ELECTRICIAN. IMPROPER INSTALLATION IS VERY DANGEROUS AND WILL VOID YOUR WARRANTY. FOLLOW ALL LOCAL AND NATIONAL ELECTRICAL CODES WHEN INSTALLING THIS PRODUCT.

1

Be sure you have the proper voltage available for your starter's power. On the side of each starter there is a table that shows corresponding horsepower and voltage [FIG 1].

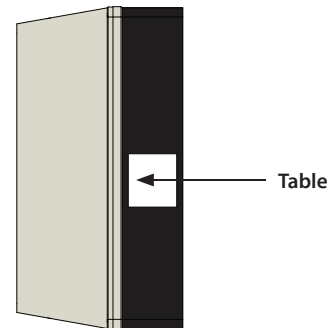


FIG. 1

2

Remove the starter cover by loosening two screws and exposing the overload and contact connections [FIG 2a]. Set aside vthe screws.

Note: Our 15HP and 20HP 220V starters (#AMS150323 and #AMS200323) have an alternate layout which includes 2 extra screws,

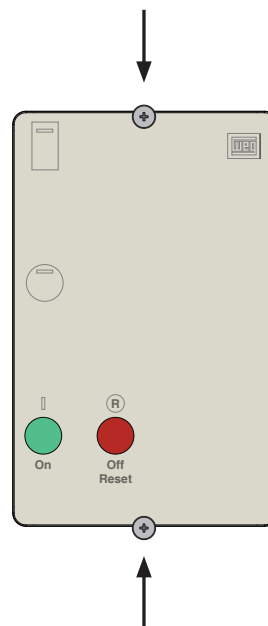


FIG. 2a

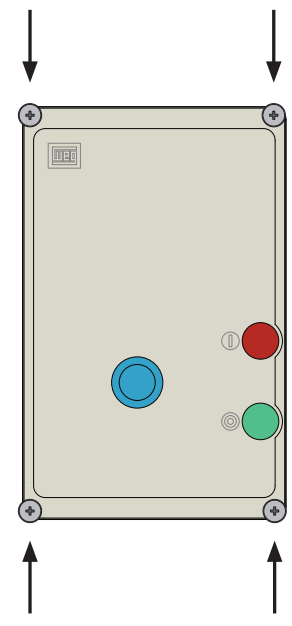


FIG. 2b

Installation Instructions

- 3** Remove two punch outs to feed wires through. There are eight punch outs available from the top, bottom, or back of the starter [FIG 3a] [FIG 3b].

Note: Our 15HP and 20HP 220V starters (#AMS150323 and #AMS200323) have an alternate layout which doesn't have the 4 punch outs in the back of the starter.

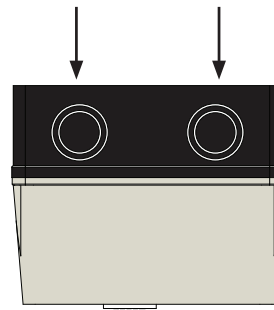


FIG. 3a

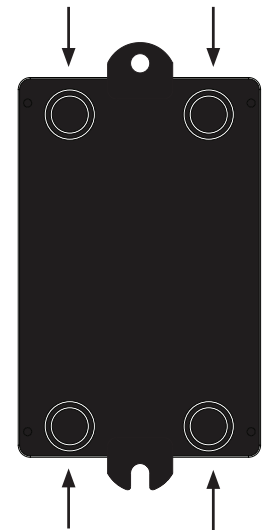


FIG. 3b

⚠ PLEASE SEE COMPLETE MANUFACTURER INSTRUCTIONS FOR MORE INFORMATION. DO NOT TAMPER WITH OR ALTER ANY EXISTING WIRING!

- 4** Customer will only be required connect the starter to the motor and a power source. If you didn't opt for the remote start option all existing wiring should be left alone. See wiring diagram [FIG 4].

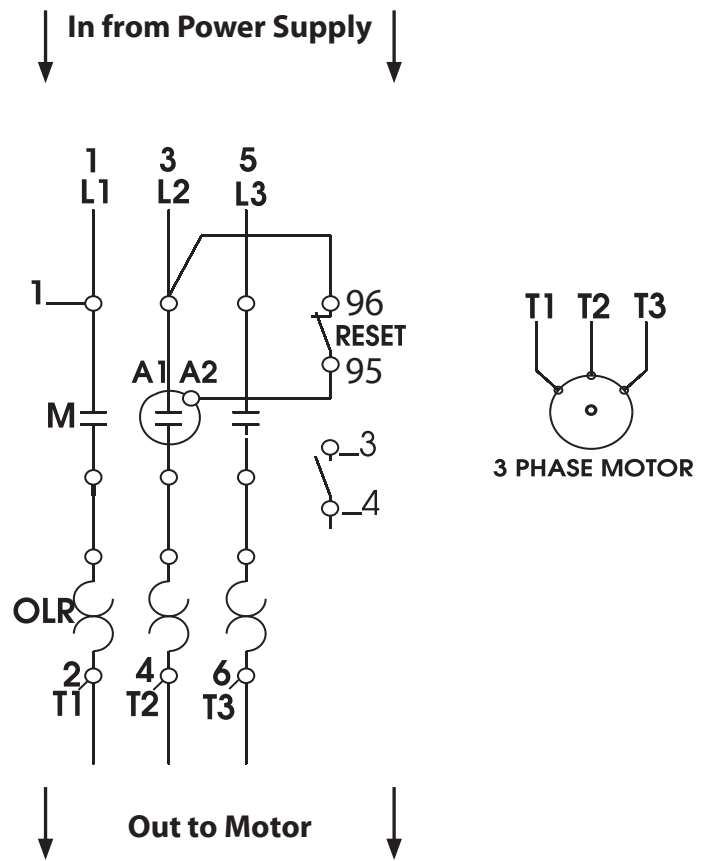


FIG. 4

Installation Instructions

5

ONLY APPLICABLE FOR 220V UNITS.
If you did not purchase the optional remote proceed to step 6.

If you purchased the optional remote, please refer to the wiring diagram before proceeding. The receiver must be installed in the starter's housing [FIG 5].

Note: DO NOT USE THE REMOTE WITH 460V UNITS.

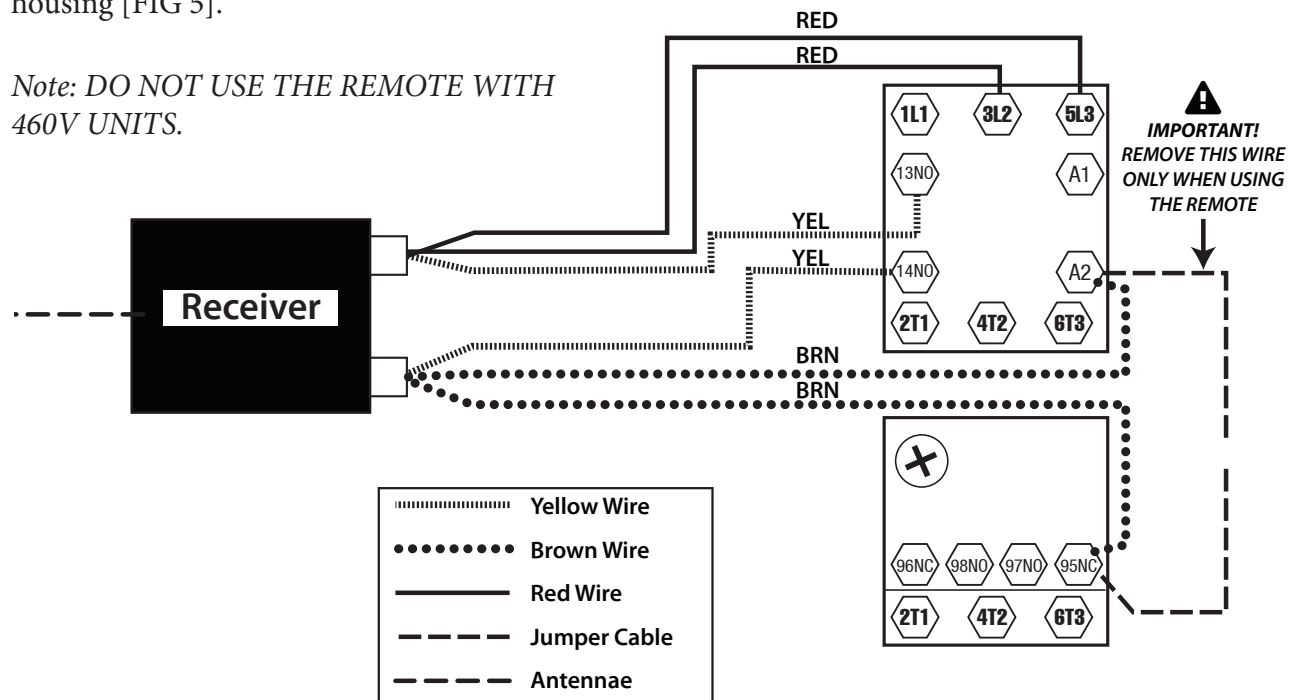


FIG. 5

6

Set the overload amperage to match the FLA (Full Load Amperage) of your motor by rotating the Overload FLA Dial with a Phillips Head Screwdriver [FIG 6a].

The FLA value can be found on your motor nameplate [FIG 6b].

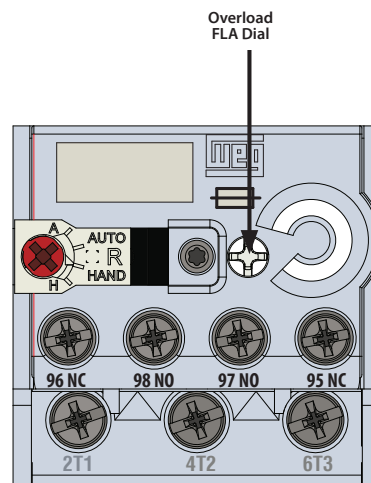


FIG. 6a

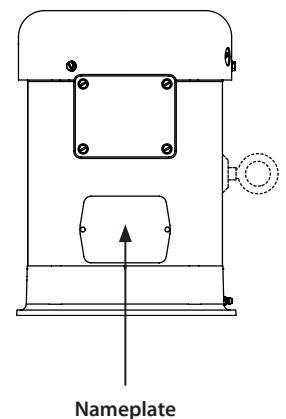


FIG. 6b

Installation Instructions

- 7** The power circuit connected to the starter should be fed from a dedicated circuit breaker [FIG. 7] or disconnect with fuses. Don't connect any branch circuits to the magnetic starter power circuit. The over current protection (circuit breaker or fuse) for the starter power circuit is to be sized per Article 430.32 of the NEC.

Note: Use time delay fuses rated for motor circuits.

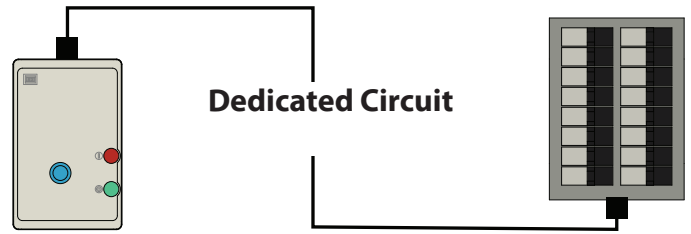


FIG. 7

- 8** Optional: To secure the starter to the wall:
- Place a mark through the two or four mounting holes [FIG 8a] [FIG 8b].
 - Use appropriate fasteners for the wall type you are installing your system onto.
 - Drill into the wall at either two or four of the marked locations.
 - Secure the starter to the wall.



FIG. 8a

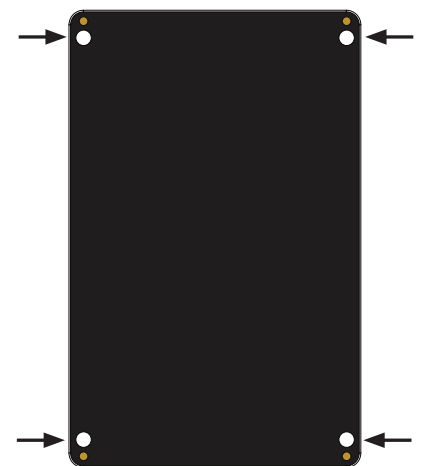


FIG. 8b

- 9** Reattach the cover with the screws set aside in Step 2 [FIG 9a] [FIG 9b].

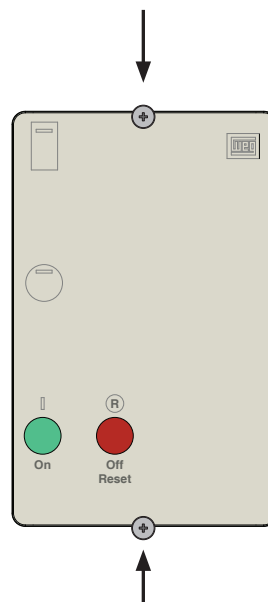


FIG. 9a

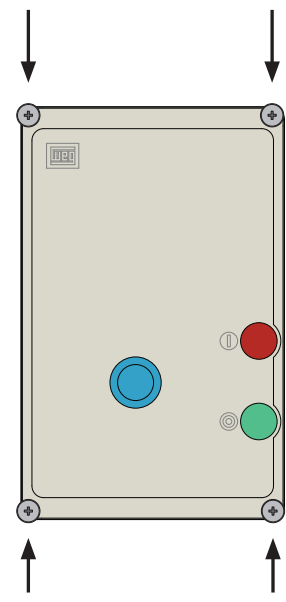


FIG. 9b