

Motor Brush Replacement

Rev: 12/18/2019

Doc. # ZBI000032

The Dust Cobra has a brushed motor. The brushes have a lifespan of approximately 500-750 hours. If you have exceeded that lifespan or the motor stops operating, then it's time to replace the carbon brushes. To access the brushes:



UNPLUG YOUR UNIT BEFORE SERVICING OR CLEANING. KEEP THE TOP VENTS IN THE COWLING CLEAN. THESE ARE FOR BOTH EXHAUST AND INCOMING COOLING AIR FOR THE MOTOR.

- 1 Unlatch and remove the motor assembly from the cone assembly [FIG. 1].

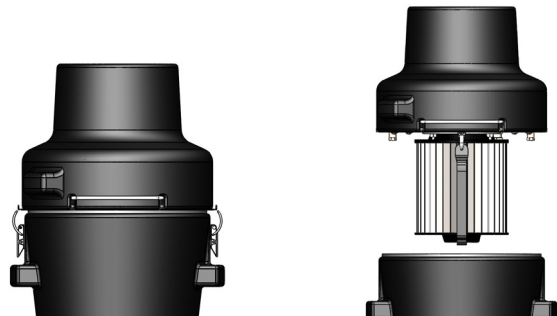


FIG. 1

- 2 Remove the six screws on the bottom of the motor assembly as shown in [FIG. 2].

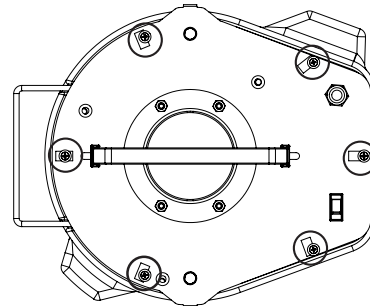


FIG. 2

- 3 Remove the cowling and the spacer to access the motor [FIG. 3].

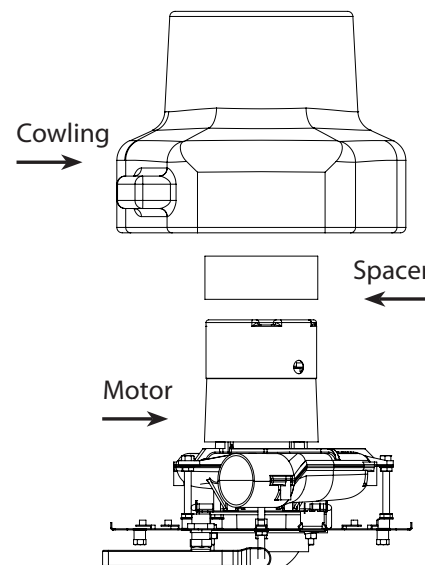


FIG. 3

Motor Brush Replacement (Continued)

4

To avoid damaging or denting the deflagration screen underneath the motor, rest it on supports (i.e. 2x4s) so that the screen is not being pushed on [FIG. 4].

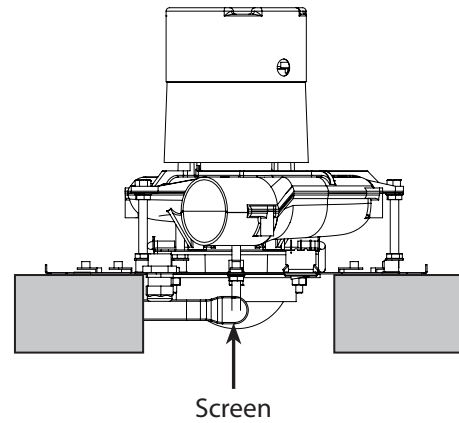


FIG. 4



YOU MUST HAVE THIS PRODUCT INSTALLED BY A QUALIFIED AND LICENSED ELECTRICIAN. IMPROPER INSTALLATION IS VERY DANGEROUS AND WILL VOID YOUR WARRANTY. FOLLOW ALL LOCAL AND NATIONAL ELECTRICAL CODES WHEN INSTALLING THIS PRODUCT.

5

The brushes are located in the circled area shown in [FIG. 5].



Check out the video link for instructions on how to replace the motor's brushes
[youtube.com/watch?v=XITQ84vyPwo](https://www.youtube.com/watch?v=XITQ84vyPwo)

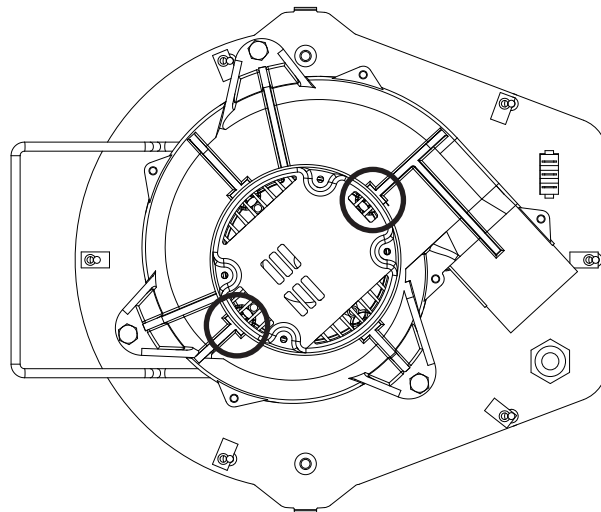


FIG. 5