


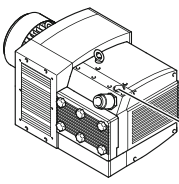







BETRIEBSANLEITUNG
OPERATING INSTRUCTIONS
INSTRUCTIONS DE SERVICE
ISTRUZIONI D'USO
HANDLEIDING
INSTRUCCIONES PARA EL MANEJO
MANUAL DE INSTRUÇÕES
NAUDOJIMOSI INSTRUKCIJA
KASUTUSJUHEND
LIETOŠANAS INSTRUKCIJA
DRIFTSINSTRUKS
DRIFTSINSTRUKTIONER
DRIFTSVEJLEDNING
INSTRUKCJA OBSŁUGI

KEZELÉSI ÚTMUTATÓ
NÁVOD K OBSLUZE
NAVODILO ZA UPORABO
NÁVOD NA OBSLUHU
UPUTE ZA RAD
MANUAL DE OPERATII
TREORACHA OIBRIÚCHÁIN
ΟΔΗΓΙΕΣ ΧΡΗΣΗΣ
EL KITABI
ИНСТРУКЦИИ ЗА ЕКСПЛОАТАЦИЯ
ИНСТРУКЦИЯ ПО ЕКСПЛУАТАЦИИ
取扱説明書
사용설명서
使用说明书

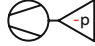



KVT 3.140

MAKE IT BECKER.


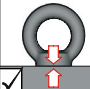


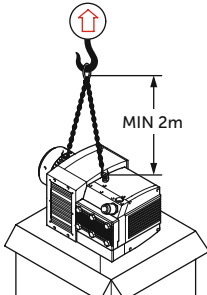


 	
	
 <p><input checked="" type="checkbox"/> AIR</p>	 
	 



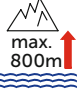
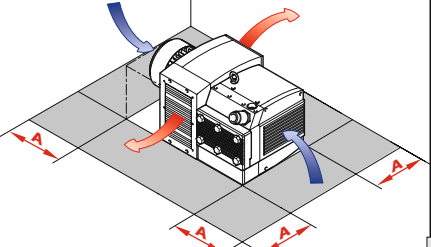
1

 <p>MAX. VACUUM</p>	 <p>mbar</p>
 <p>MAX.</p>	 <p>m³/h</p>
<p>L_{pA})))</p> <p>DIN EN ISO 11203 Accuracy Class 2 K_{pa} = 3 dB(A) l ← 1m</p>	<p>L_{pA} = 76 dB(A) - 50Hz L_{pA} = 79 dB(A) - 60Hz</p>


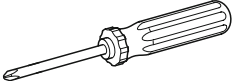

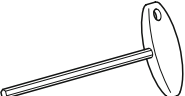

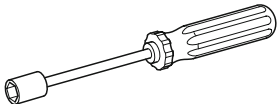
2

			 <p>111 kg 245 lbs</p>
 <p>MIN 2m</p>			

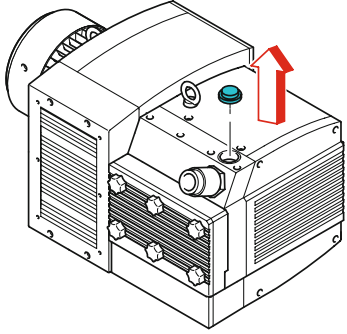
3

<p>A > 100mm A > 4"</p>	 <p>> 5°C/41°F < 45°C/113°F</p>	 <p>max. 90%</p>	 <p>max. 800m</p>
			

4

 <p>No. 2</p>	
 <p>5 mm</p>	
 <p>7 mm 10 mm</p>	

5



6

MOTOR-PROTECTION

=

50Hz	60Hz
XXX / XXX V	XXX / XXX V
XXX / XXX A	XXX / XXX A

SERVICE FACTOR

X

RATED CURRENT

7

optional

Bi-metal

PTC

¹⁾ motor protection switch

8

9

10

VACUUM

11

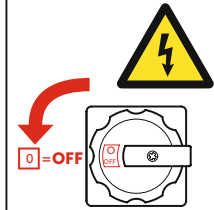
BECKER		Color: Becker GmbH Industrie-Post 20 WUTROTHAL Germany Made in Germany	 CE
year	XXX/20XX		
no.	A1234567		
Compressor / vacuum pump			
type	XXX		
frequency	XXX	Hz	
speed	XXX	mm ³	
power required	XXX	kW	
inlet capacity	XXX	m ³ /h	
pressure	XXX	mbar	
vacuum	XXX	@xxxx	

12

Maintenance



13



n=0min⁻¹



14

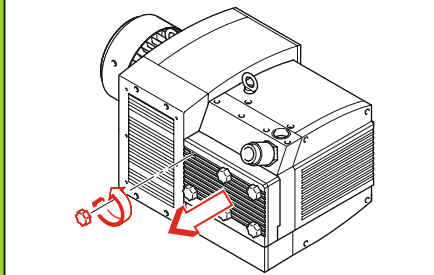
CLEANING INTERVAL

SUCTION AIR

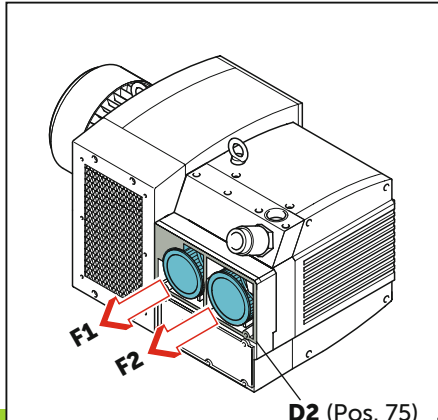
40h

200h

EN149 - FFP3
42 CFR 84 - N100



15

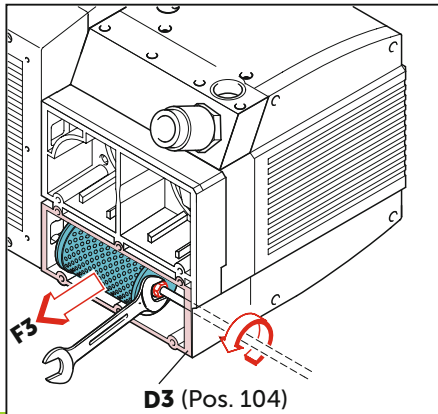


16

optional
en option
optionale
opcional

KVT 3.140/0
 KVT 3.140/6

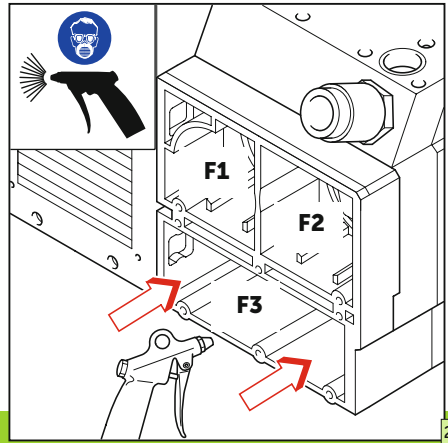
17



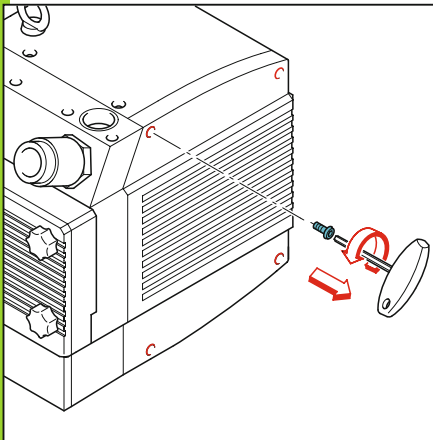
18

<p>F1 = F2 (standard)</p> <p>No.: 909507</p>	<p>F2* (polyester) KVT 3.140/6</p> <p>No.: 909587</p>	<p>F3 (standard)</p> <p>No.: 909514</p>
	<p>Satz / Kit Pos.: 20, 24, 62, 75, 76, 85, 104, 122, 125, 126, 146</p> <p>No.: 549000 21300</p>	

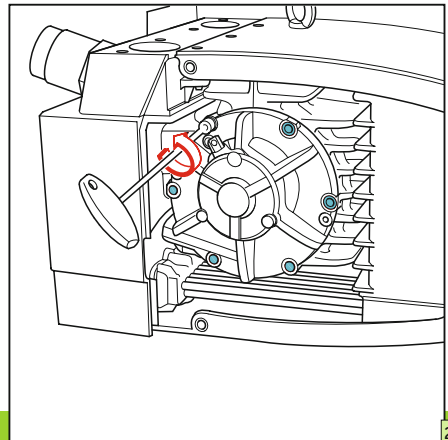
19



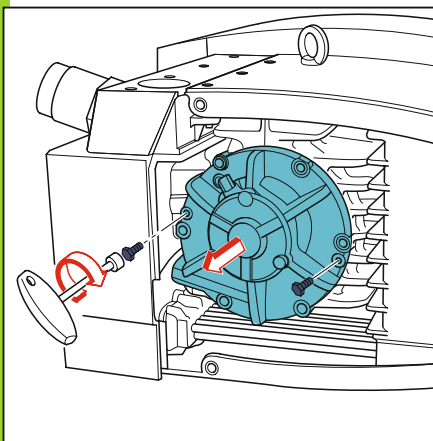
20



21



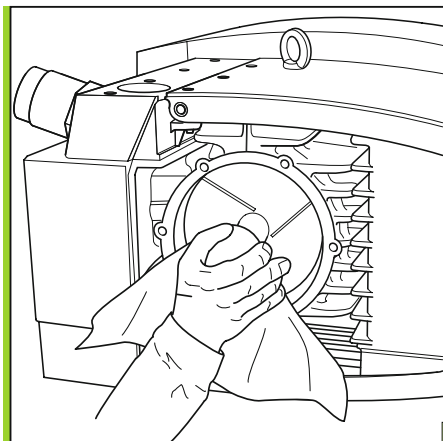
22



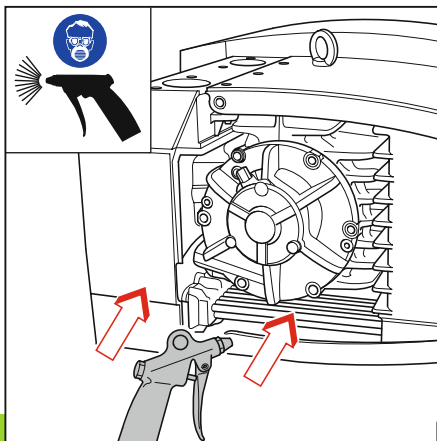
23

<p>3000 h</p>	
<p>A</p> <p>MAX. MIN.</p>	<p>$A_{MAX} = 48\text{mm}$</p> <p>$A_{MIN} = 31\text{mm}$</p> <p>$A_{spr} < 31\text{mm}$ </p>
<p>KVT 3.140 (standard) → No. 90133400004 (SET)</p> <p>KVT 3.140/6 → No. 90138100004 (SET)</p>	

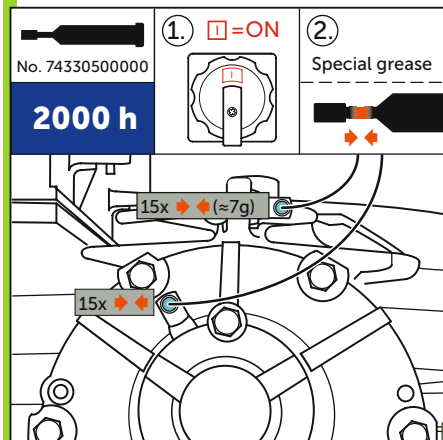
24



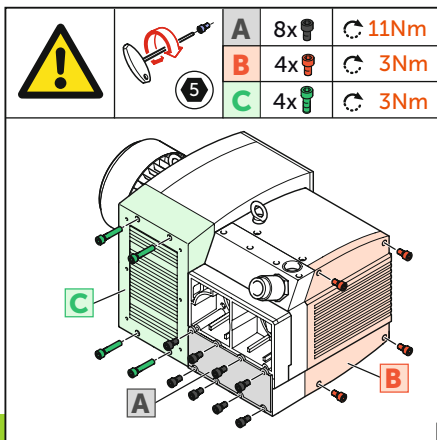
25



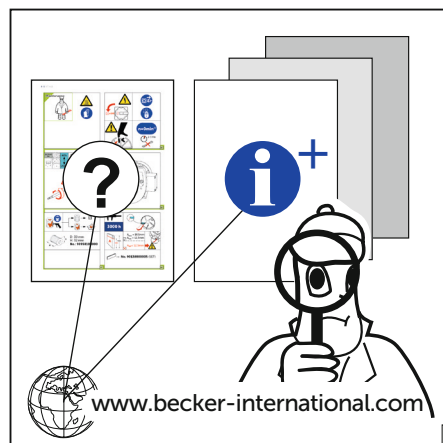
26



27



28



29



WWW.BECKER-INTERNATIONAL-SHOP.COM

Gebr. Becker GmbH
Hoelker Feld 29-31
42279 WUPPERTAL
GERMANY
info@becker-international.com
www.becker-international.com





MAKE IT BECKER.